

DuroLift

HAND PALLET TRUCK 2500

Features

Durable Hydraulic Pump

Fork Frame in heavy gauge steel

Central Fingertip Controls with the handle in any position



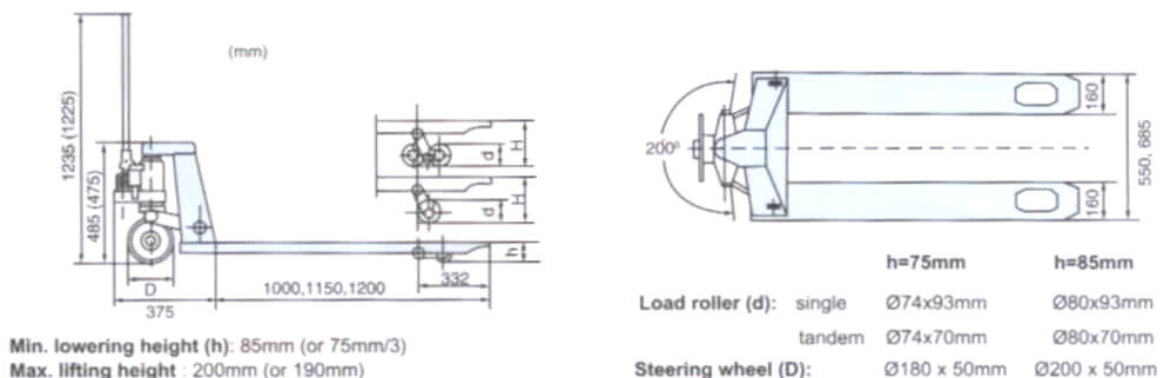
Specifications

Stock Number	DL7
Capacity - kg	2500 kg
Fork Lift Height - Minimum	85 mm
Fork Lift Height - Maximum	200 mm
Individual Fork Width	160 mm
Overall Fork Width	550 mm
Forks Length	1150 mm
Net Weight	71 kg
General Description	Heavy Duty hydraulic pump

Price

£ 190 ex. works

(All Prices exclude Delivery and V.A.T. & are Subject to Change Without Notice)



DuroLift